

# B5X-LS4-U



## Light switch



### Benefits

- **Integrated system.** Dupline® is the brand name for Carlo Gavazzi's 2-wire bus system.
- **Cost reduction.** The use of a bus system is a proven way to reduce installation costs – especially when the distance between I/O points are extensive.
- **Fast and easy installation.** Completely free topology, no special cable required, no screen or twist. It can go for 2 km and even further with repeaters.
- **High noise immunity.** Can run next to power cables.
- **Scalability.** The system can be progressively integrated with new modules according to the application needs.
- **Modularity.** The system is composed by many modules, powered by the bus, so that each installation can be precisely and easily sized.

### Description

The B5X-LS4-U is a light switch with 4 buttons and 4 LED outputs.

This light switch is part of the smart Dupline concept for building automation applications and can be used to control lights, roller blinds and all other functions supported by the smart Dupline controller.

It is fully programmable via the Sx tool.

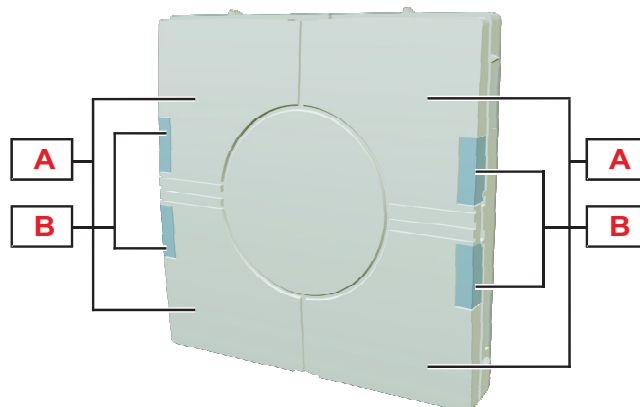
### Applications

Home and building automation.

### Main features

Supplied by bus, no external supply required.  
Delivered with 2 white and 1 black pushbutton covers.

## Structure

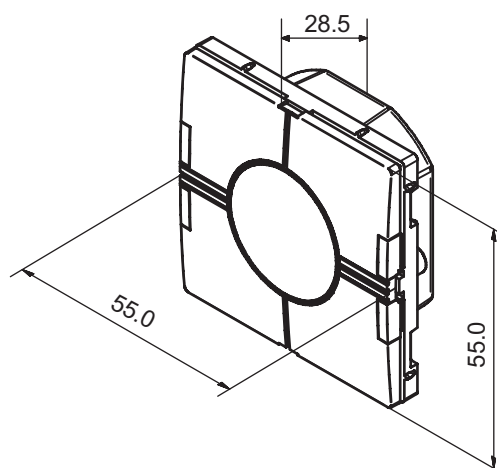


Element	Component	Function
A	Push buttons	4 individually programmable push button inputs
B	Blue and white LEDs	4 blue and 4 white programmable LEDs

## Features

### General



<b>Material</b>	Back part: plastic, transparent Push button covers: plastic white (RAL 9010), clear white (RAL 9016), black Accessories: plastic frame
<b>Dimensions</b>	55 x 55 x 28.5 mm (L x H x D)
<b>Weight</b>	50 g
<b>Protection grade</b>	IP20
<b>Pollution degree</b>	3 (IEC 60664)



### Environmental

Operating temperature	-20° to +50°C (-4° to 122°F)
Storage temperature	-30° to +60°C (-22° to +140°F)
Humidity (non-condensing)	20 to 80% RH

### Compatibility and conformity

Electromagnetic compatibility (EMC) - immunity	EN 61000-6-2
Electromagnetic compatibility (EMC) - emissions	EN 61000-6-3
Approvals	 

### Power Supply

Power Supply	Supplied by bus
--------------	-----------------

### Dupline®

Voltage	8.2 V
Maximum Dupline® voltage	10 V
Minimum Dupline® voltage	5.5 V
Maximum Dupline® current	2 mA
Addressing	<p>If it is used with the Sx2WEB24 the address assignment is automatic: the controller recognises the module through the SIN (Specific Identification Number) that has to be inserted in the Sx tool. Used channels: 4 input channels, 4 output channels.</p> <p>If it is used with the BH8-CTRLX-230 the channels have to be programmed with the BGP-COD-BAT. I/O 1-4: push button 1-4; I/O 5-8: LED 1-4.</p>

### Input specifications

Keypad	4 pushbuttons
--------	---------------

### Output specifications

LED	4 white / 4 blue
-----	------------------



## Mode of operation

### ▶ LED programming

#### **B5X-LS4-U connected to the Sx2WEB24.**

White and blue LEDs. The LEDs can be programmed individually as either guide light or function status indication. If the guide light functionality has been activated and a single switch has been associated to a function, then the LED relevant to that switch will be ON, if the function is OFF, and it will be OFF, if the function is ON. If the Dupline® bus is faulty or missing, the LED will be OFF.

#### **B5X-LS4-U connected to the BH8-CTRLX-230.**

The 4 white LEDs can be all together programmed as guide light (they will be ON when the light is OFF).

Fail safe bit =0: guide light function disabled.

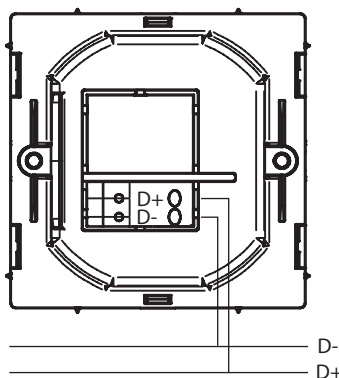
Fail safe bit =1: guide light function enabled.

The factory setting is fail safe bit=0.

The fail safe bit has to be programmed by the BGP-COD-BAT.

The 4 blue LEDs can be individually programmed as function status indication. If the Dupline® bus is faulty or missing, the LED will be OFF.

## Connection Diagrams





## References

### Further reading

Information	Document	Where to find it
Sx2WEB installation guide	System manual	<a href="http://www.productselection.net/MANUALS/UK/system_manual.pdf">www.productselection.net/MANUALS/UK/system_manual.pdf</a>
Sx2WEB software manual	Sx tool manual	<a href="http://www.productselection.net/MANUALS/UK/sx_tool_manual.pdf">www.productselection.net/MANUALS/UK/sx_tool_manual.pdf</a>

### Order code



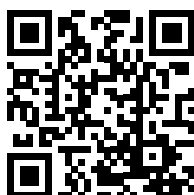
**B5X-LS4-U**

### CARLO GAVAZZI compatible components

Purpose	Component name/code	Notes
Controller	Sx2WEB24	
Bus generator	SH2MCG24	

### Other compatible components

Purpose	Component name/code	Notes
Compatible frame	<b>Jung:</b> A 500 <b>Merten:</b> M-Star, M-Plan, Atelier M, M-Smart, M-Plan II <b>Gira:</b> Event, Esprit, Standard 55, E22 <b>Siemens:</b> Delta <b>Elko:</b> RS16, Plus <b>Schneider:</b> Exxact Primo	



COPYRIGHT ©2015  
 Content subject to change. Download the PDF: [www.productselection.net](http://www.productselection.net)